

GNSS Survey Antenna GB310

KEY FEATURES

- GPS L1/L2/L5/L-Band
- GLONASS L1/L2/L3
- BDS B1/B2/B3
- GALILEO E1/E5a/E5b/E6
- QZSS L1/L2/L5/L6
- IRNSS L5
- IP67

◆ PERFORMANCE

Signal Received

GPS	L1/L2/L5/L-Band
GLONASS	L1/L2/L3
BDS	B1/B2/B3
GALILEO	E1/E5a/E5b/E6
QZSS	L1/L2/L5/L6
IRNSS	L5

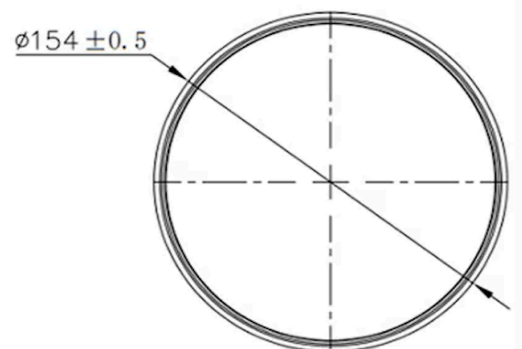
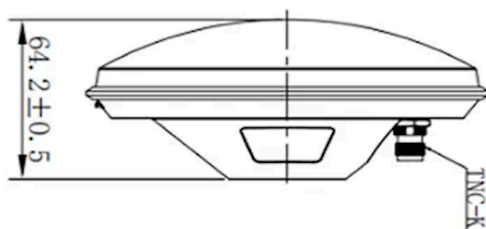
Nominal Impedance	50Ω
Polarization	RHCP
Axial Ratio	≤3dB

Gain At Zenith(90°)

1164-1130MHz	5.5dBi(Maximum)
1525-1615MHz	5.5dBi(Maximum)

LNA Gain	40dB±2dB
Noise Figure	≤2dB
Output/Input VSWR	≤2.0
Operation Voltage	+3.3VDC to +12VDC
Operation Current	≤45mA
Group Delay Ripple	≤5ns

◆ Structure & Phase Center Drawing (mm)



◆ MECHANICAL

Dimensions	∅154*64.2mm
Connector	TNC-K
Weight	391G
Mounting	BSW5/8" -11 Screw, 12-14mm

◆ ENVIRONMENTAL

Temperature	
Operating temperature	-40°C to +85°C
Storage temperature	-55°C to +85°C
Humidity	95% non-condensing
Water/Dust Resistance	IP67
Regulatory Compliance	NGS, FCC, CE, RoHS

◆ Inside the box

